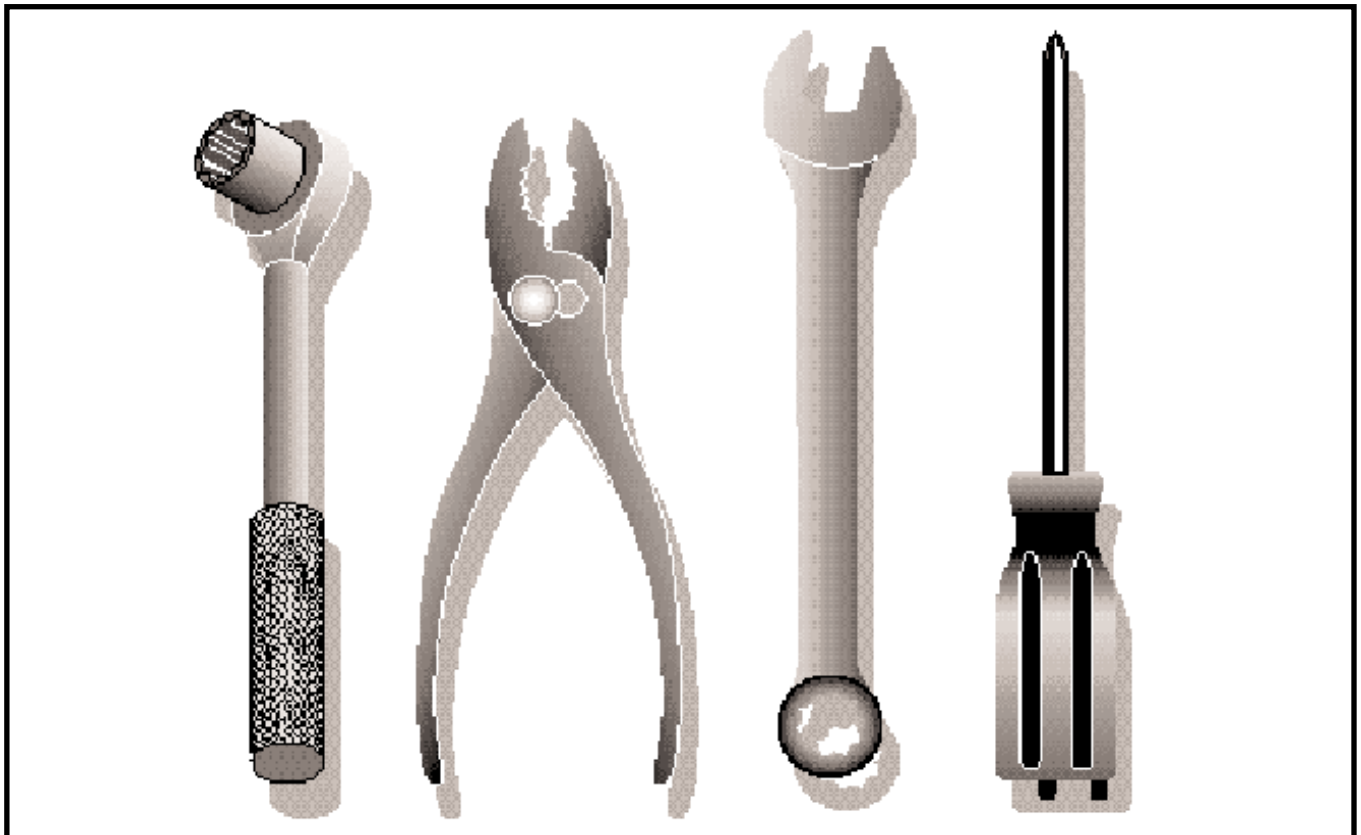


Ride Mower

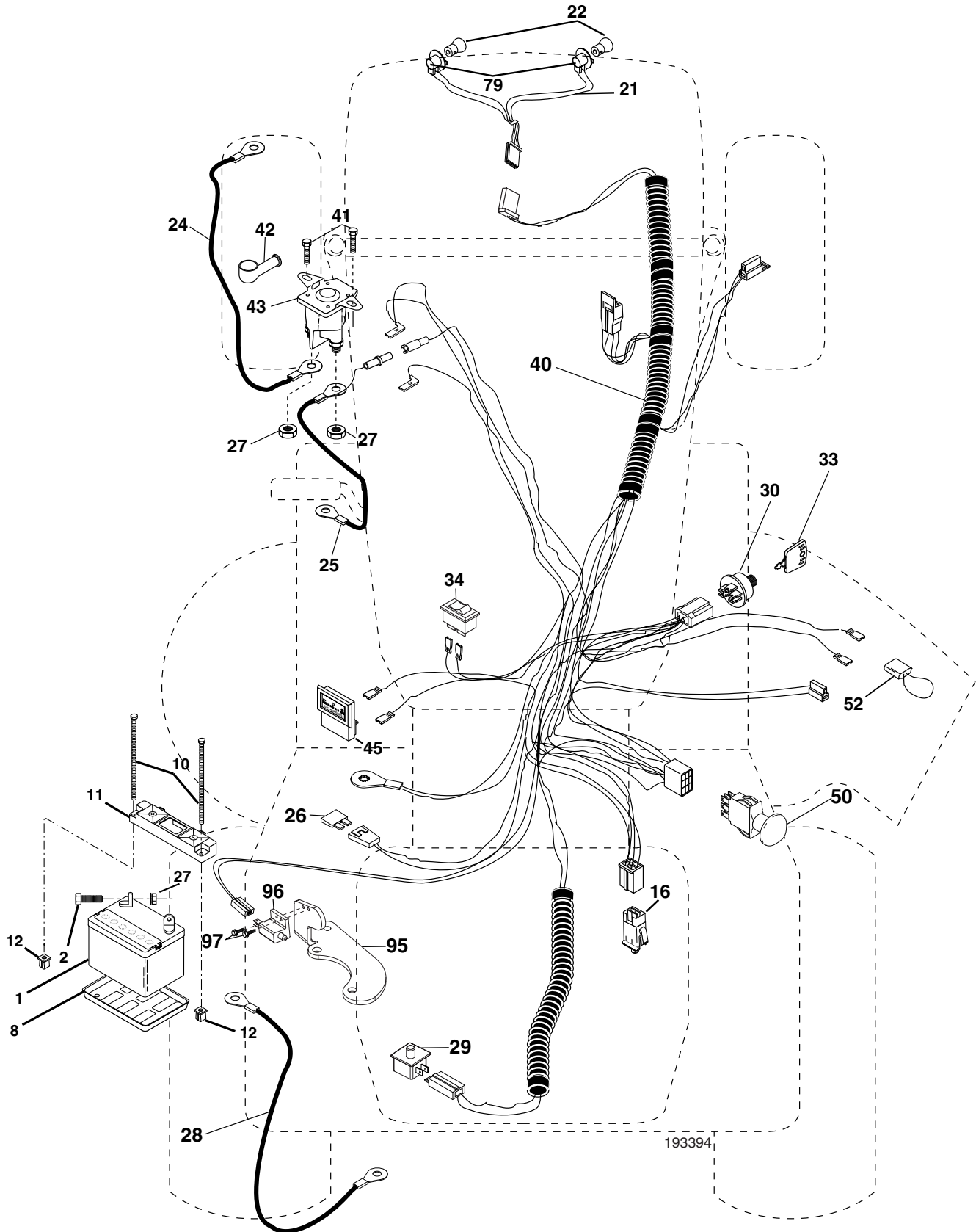
GT2254

96025000201



REPAIR PARTS

TRACTOR - - MODEL NO. GT2254 (96025000201), PRODUCT NO. 960 25 00-02
ELECTRICAL



REPAIR PARTS

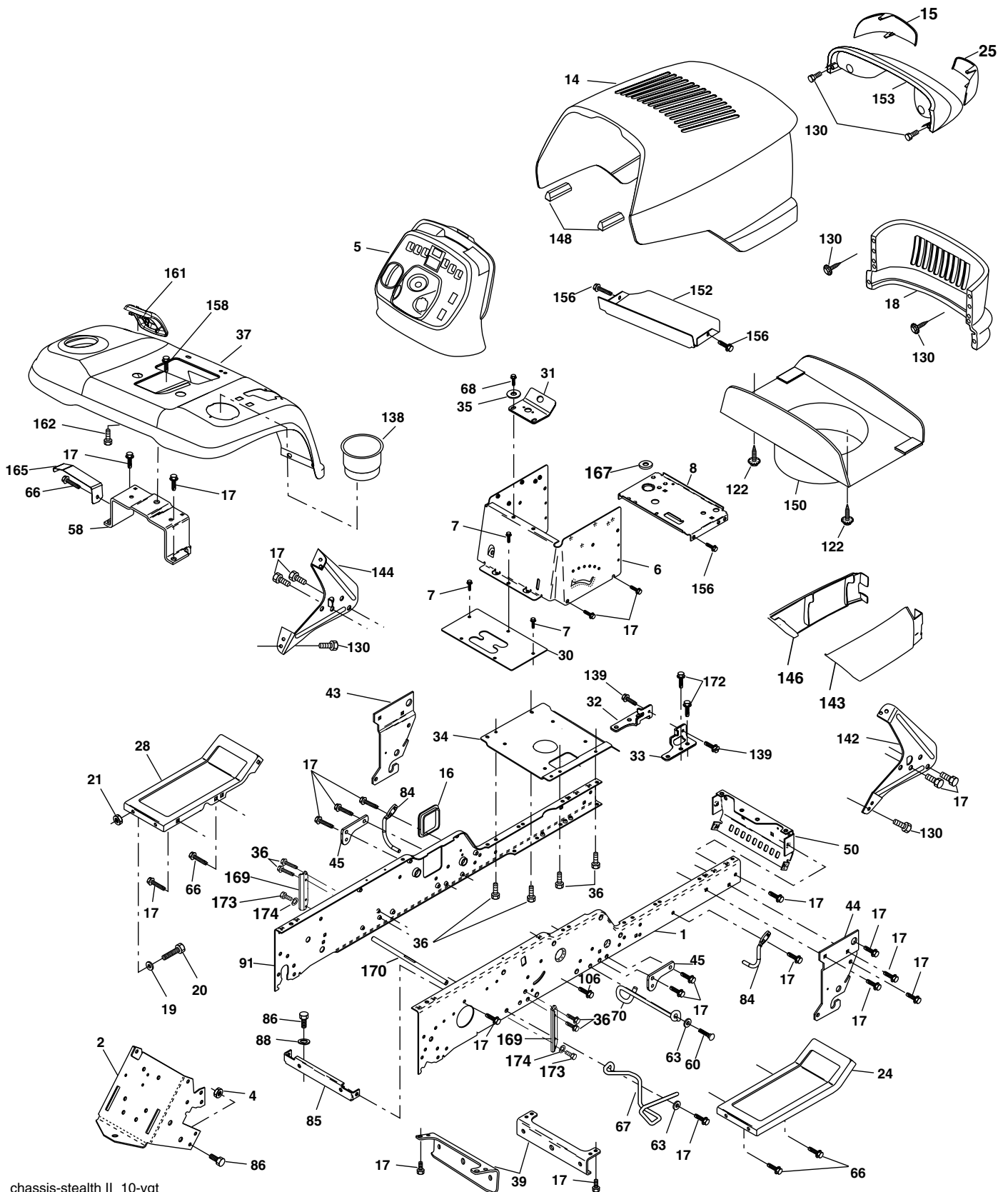
TRACTOR - - MODEL NO. GT2254 (96025000201), PRODUCT NO. 960 25 00-02
ELECTRICAL

KEY NO.	PART NO.	DESCRIPTION
1	532 14 49-27	Battery
2	874 76 04-12	Bolt Hex Head 1/4-20 x 3/4
8	532 12 48-86	Tray, Battery
10	532 14 52-11	Bolt, Battery Front 1/4-20 x 7.5 Zinc
11	532 15 01-09	Holddown Battery Front Mount
12	532 14 57-69	Nut, Push Nylon 1.4" Battery Front
16	532 17 61-38	Switch Interlock
21	532 17 56-88	Harness Socket Light w/4152J
22	532 00 41-52	Bulb Light
24	532 18 54-64	Cable Starter
25	532 14 61-49	Cable, Battery
26	532 10 88-24	Fuse
27	873 51 04-00	Nut Keps Hex 1/4-20
28	532 17 06-97	Cable, Ground
29	532 19 27-49	Switch, Plunger
30	532 19 33-50	Switch, Ign
33	532 14 04-01	Key
34	532 11 07-12	Switch Light/Reset
40	532 19 33-94	Harness Ign.
41	817 72 04-08	Screw Thd Cut 1/4-20 x 1/2
42	532 13 15-63	Cover, Terminal Red
43	532 17 88-61	Solenoid
45	532 12 28-22	Ammeter
50	532 19 61-12	Switch, PTO
52	532 14 19-40	Protection Wire Loop
79	532 17 52-42	Bulbholder Asm
95	532 19 36-66	Bracket ROS
96	532 10 44-45	Switch Intek
97	532 15 29-27	Screw

NOTE: All component dimensions given in U.S. inches
1 inch = 25.4 mm

REPAIR PARTS

TRACTOR - - MODEL NO. GT2254 (96025000201), PRODUCT NO. 960 25 00-02
CHASSIS AND ENCLOSURES



chassis-stealth II_10-vgt

REPAIR PARTS

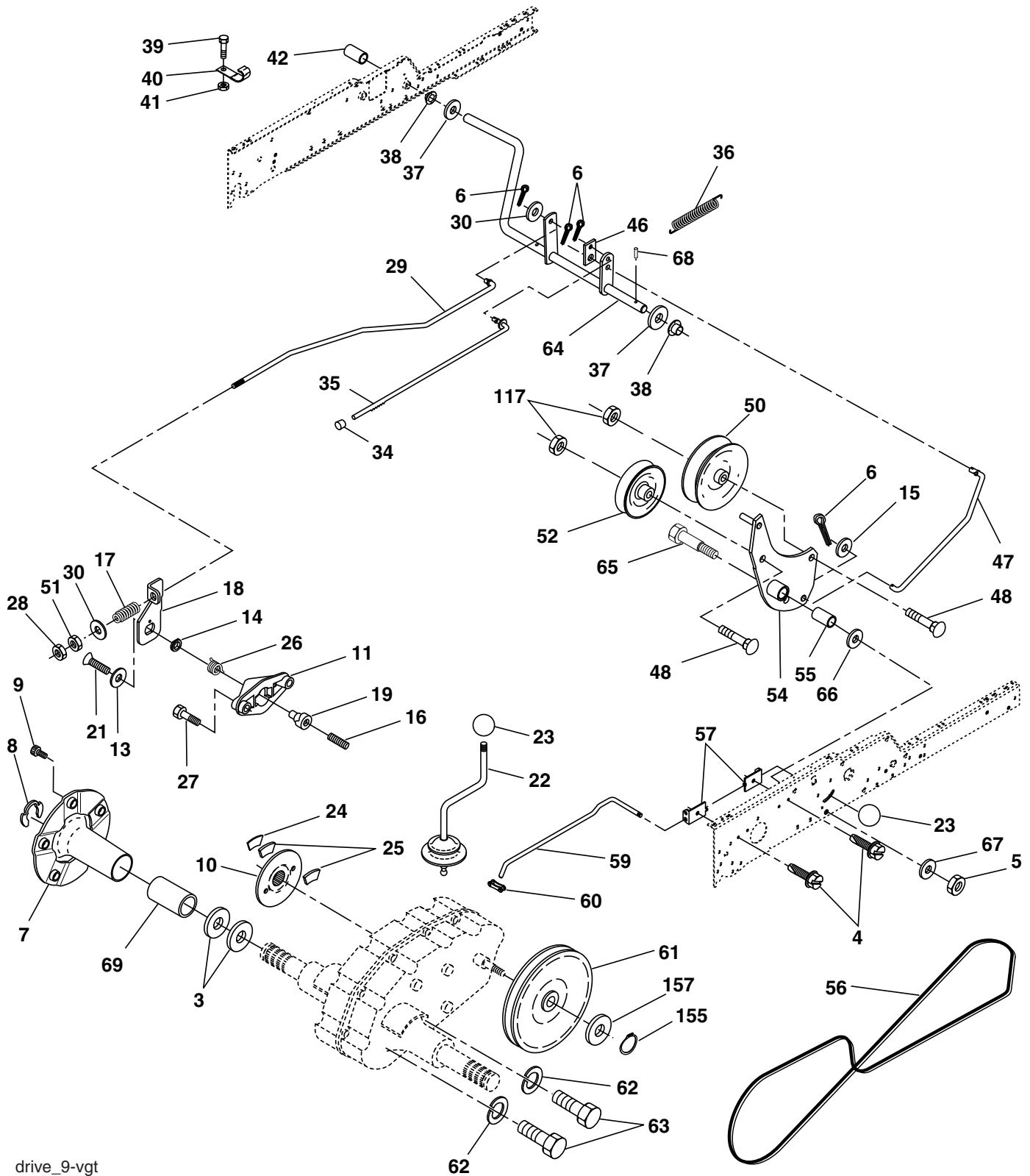
**TRACTOR - - MODEL NO. GT2254 (96025000201), PRODUCT NO. 960 25 00-02
CHASSIS AND ENCLOSURES**

KEY NO.	PART NO.	DESCRIPTION	KEY NO.	PART NO.	DESCRIPTION
1	532 18 03-75	Rail, Frame RH	68	817 49 05-08	Screw Thdrol. 5/16-18 x 1/2
2	532 17 52-82	Drawbar, Gt	70	532 18 85-78	Guide, Belt
4	873 68 07-00	Nut, Crownlock Hex 7/16-14 unc	84	532 18 81-64	Up Stop
5	532 19 61-37	Dash	85	532 19 39-23	Bracket, Support Transaxle
6	53215 78-82	Dash, Lower Vgt One Piece	86	874 78 07-16	Bolt Fin Hex 7/16-14 unc x 1
7	817 72 04-08	Screw, Thd Cut 1/4-20 x 1/2	88	810 04 07-00	Washer, Lock Hvy Hlcl Spr 7/16
8	532 18 46-68	Support, Battery	91	532 18 03-74	Rail, Frame Lh
14	532 19 00-55	Hood Asm	106	817 58 05-20	Screw Thdrol 5/16-18 x 1.25
15	532 16 18-41	Lens LH	122	532 19 25-12	Screw Wshd Hex 10-32 x 5/8
16	532 12 17-94	Cover, Access	130	532 19 16-11	Screw 10 x 3/4 Single Lead-Hex
17	817 00 06-12	Screw 3/8-16 x 3/4 Zc	137	874 78 07-16	Bolt Fin Hex 7/16-14 x1 Gr. 5
18	532 18 28-73	Grille	138	532 19 48-69	Cupholder YGTG
19	819 13 13-12	Washer 13/32 x 13/16 x 12 Ga.	139	532 17 18-73	Bolt Shoulder 5/16-18 TT
20	874 78 06-16	Bolt Fin Hex 3/8-16 x 1 Gr. 5	142	532 16 18-97	Bracket Dash Rh
21	873 80 06-00	Nut Lock 3/8-16 unc	143	532 17 75-86	Skirt Grille RH
24	532 18 10-58	Footrest, RH	144	532 16 19-00	Bracket Dash Lh
25	532 16 18-42	Lens RH	146	532 17 75-87	Skirt Grille LH
28	532 18 10-57	Footrest, LH	148	532 16 46-55	Extrusion Bumper
30	532 14 84-11	Saddle, Silscr Vgt	150	532 19 03-09	Duct Heat Hood
31	532 16 14-19	Bracket Support 1-pc	152	532 17 79-56	Shield Browning
32	532 16 13-27	Bracket, Pivot Chassis Lh	153	532 18 82-12	Light Box Asm w/Lens
33	532 16 13-26	Bracket, Pivot Chassis Rh	156	817 00 05-12	Screw 5/16-18 x 3/4. Blk
34	532 17 70-18	Plate Asm Engine Chassis	158	817 67 06-08	Screw Thdrol. 3/8-16 x 1/2
35	819 11 11-16	Washer 11/32 x 11/16 x 16 Ga.	161	532 18 17-87	Console Fuel Window
36	817 06 05-12	Screw 5/16-18 x 3/4	162	532 14 24-32	Screw Hex Wsh Hi-Lo 1/4-1/2
37	532 19 48-68	Fender	165	532 18 35-54	Bracket Support Tank
39	532 17 52-78	Bracket, Axle Front	169	532 18 85-98	Bracket Chassis Sway
43	532 13 69-39	Bracket, Spnsn Front Lh	170	532 19 46-67	Rod Bracket Sway Brace
44	532 13 69-40	Bracket, Spnsn Front Rh	171	532 18 46-72	Bushing Snap
45	532 18 72-70	Bracket Chassis	172	817 12 06-14	Screw 3/8-16 x .875
50	532 17 54-76	Bracket, Chassis Front	173	874 78 05-12	Bolt Fin Hex 5/16-18 unc x 3/4
58	532 18 35-69	Bracket Fender	174	810 04 05-00	Washer Lock Hvy Hlcl Spr. 5/16
60	817 06 06-20	Screw 3/8-16 x 1-1/4			
63	819 13 16-14	Washer 13/32 x 1 x 14 Ga.			
66	817 49 06-08	Screw 3/8-16 x 1/2			
67	532 15 69-73	Guide, Belt Gear Drive			

NOTE: All component dimensions given in U.S. inches
1 inch = 25.4 mm

REPAIR PARTS

TRACTOR - - MODEL NO. GT2254 (96025000201), PRODUCT NO. 960 25 00-02
GROUND DRIVE



drive_9-vgt

REPAIR PARTS

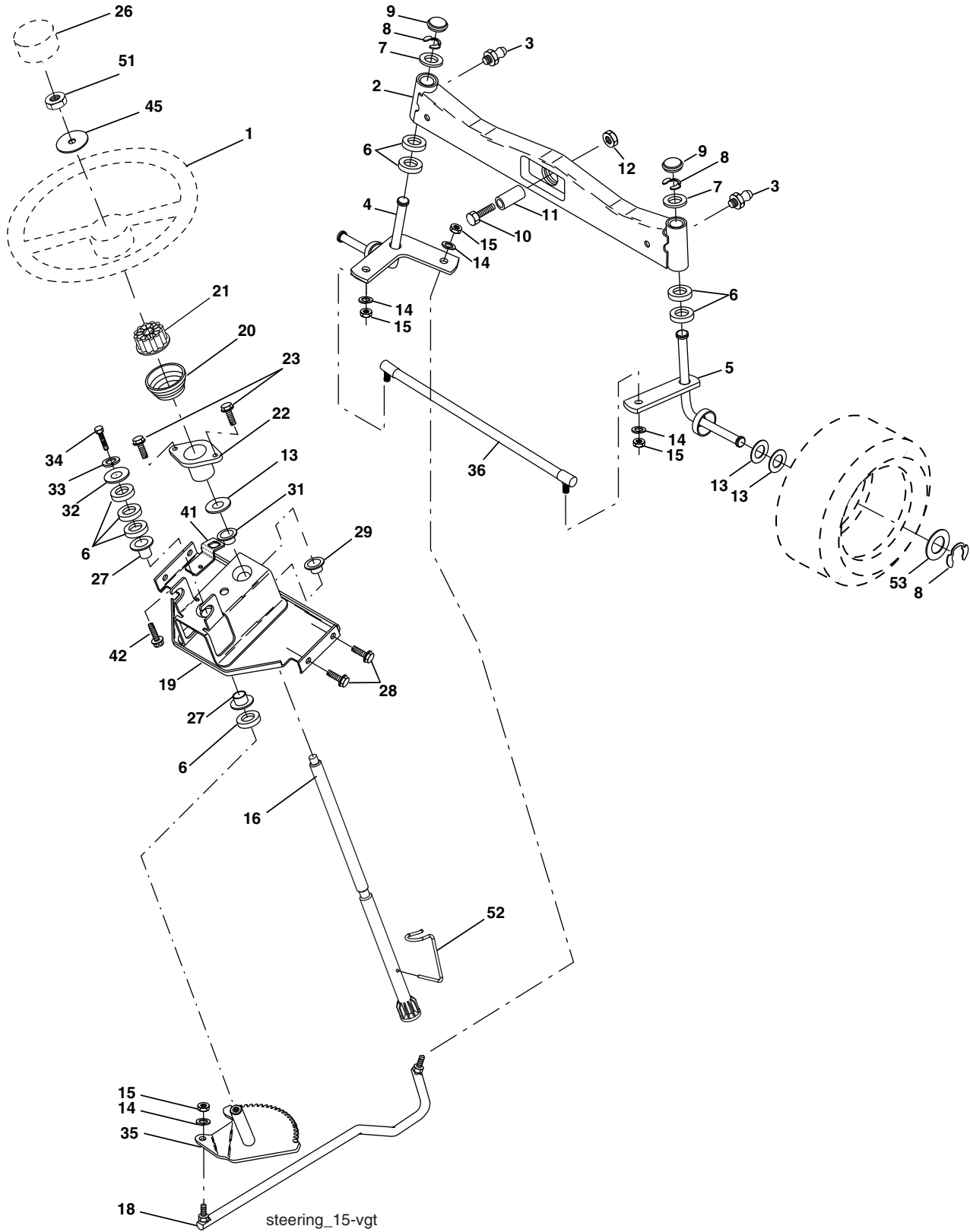
**TRACTOR - - MODEL NO. GT2254 (96025000201), PRODUCT NO. 960 25 00-02
GROUND DRIVE**

KEY NO.	PART NO.	DESCRIPTION	KEY NO.	PART NO.	DESCRIPTION
3	532 00 75-63	Washer, Thrust, Axle	38	532 15 00-35	Nyliner
4	817 49 05-08	Screw Thdrol 5/16-18 x 3/4	39	874 32 10-16	Screw, Fin. #10-24 x 1
5	873 68 06-00	Nut, Crownlock 3/8-16	40	532 17 85-75	Actuator, Interlock Switch
6	876 02 04-12	Pin, Cotter	41	873 93 10-00	Nut, Centerlock #10-24
7	532 14 91-76	Wheel, Hub Assembly	42	532 12 48-72	Cover, Pedal
8	812 00 00-34	Klip, Ring	46	532 14 51-70	Retainer, Spring
9	532 14 00-80	Bolt, Hub	47	532 13 82-28	Clutch Rod
10	532 14 25-09	Disc, Brake	48	872 11 06-12	Bolt, Carr. 3/8-16 x 1-1/2 Gr. 5
11	532 13 69-27	Yoke, Brake Disc	50	532 13 14-94	Pulley, Idler, Flat
13	532 13 94-19	Washer, Special	51	873 80 06-00	Nut, Crownlock 3/8-16 unc
14	532 13 89-01	Bushing	52	532 13 91-23	Pulley, Idler, Grooved
15	819 13 13-16	Washer 13/32x13/16 x 16 Ga.	54	532 16 15-90	Clutch, Arm Assembly
16	532 14 30-12	Set, Screw 1/4-28 x 3/4	55	532 10 57-06	Bearing, Idler
17	532 12 69-09	Spring	56	532 13 71-53	V-Belt
18	532 13 71-04	Lever, Brake	57	532 14 17-56	Bracket, Shift Rod, Hi-Lo
19	532 13 69-26	Cam, Brake Disc	59	532 12 22-53	Shift Rod, Hi-Lo
21	823 26 04-12	Screw, Flat Head 1/4-28 x 3/4	60	532 12 22-68	Spring Clip, Connecting Link
22	532 19 41-21	Gearshift, Lever Assembly	61	532 18 47-87	Pulley, Transaxle
23	532 10 69-32	Knob	62	810 04 07-00	Washer, Lock 7/16
24	532 13 69-25	Support, Puck Brake	63	874 78 07-20	Bolt, Fin Hex 7/16-14 x 1-1/4
25	532 13 69-23	Puck, Brake Top	64	532 15 47-52	Shaft, Clutch/Brake Pedal
26	532 13 75-52	Spring, Return	65	532 17 96-13	Bolt, Shoulder
27	532 19 31-35	Screw, Hexwsh Thd. 5/16-18 x 1-3/4	66	532 14 02-96	Washer, Hardened
28	873 35 06-00	Nut, Hex Jam 3/8-16	67	819 13 13-12	Washer, Flat
29	532 13 72-13	Brake, Rod	68	532 00 51-42	Pin, Roll
30	819 13 16-16	Washer 13/32 x 1 x 16 Ga.	69	532 13 63-27	Hub, Cover
34	532 07 16-73	Cap, Plunger	117	873 90 06-00	Nut, Lock Flg. 3/8-16 unc
35	532 13 76-48	Rod, Parking Brake	155	812 00 00-28	Ring Retainer
36	532 14 94-12	Spring, Drive Ground	157	532 00 13-70	Washer Thrust 5/8 x 1.10 x 1/32
37	532 12 17-49	Washer 25/32 x 1-1/4 x 16 Ga.			

NOTE: All component dimensions given in U. S. inches 1 inch = 25.4 mm

REPAIR PARTS

TRACTOR - - MODEL NO. GT2254 (96025000201), PRODUCT NO. 960 25 00-02
STEERING ASSEMBLY



REPAIR PARTS

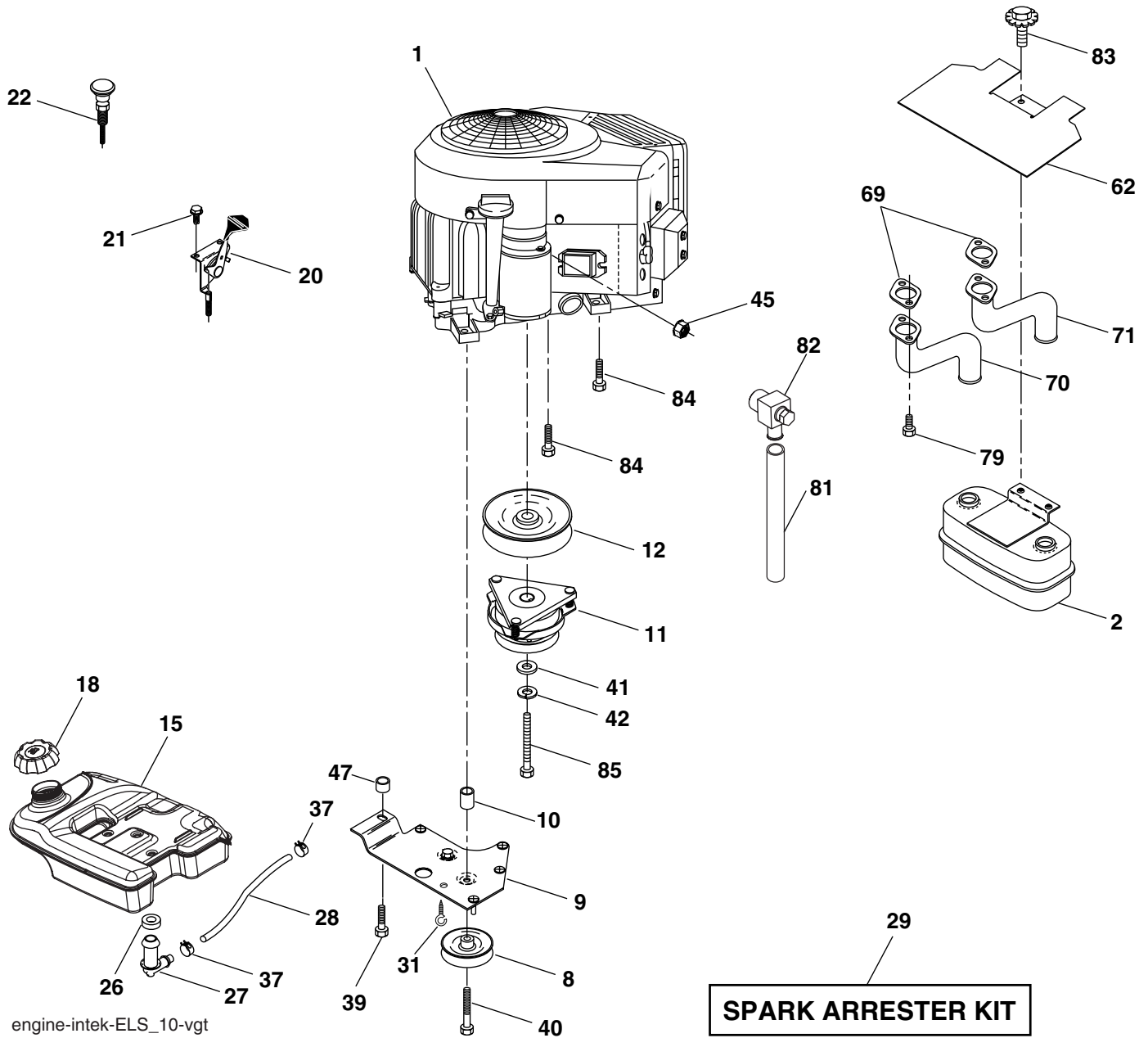
TRACTOR - - MODEL NO. GT2254 (96025000201), PRODUCT NO. 960 25 00-02
STEERING ASSEMBLY

KEY NO.	PART NO.	DESCRIPTION
1	532 19 39-43	Wheel, Steering
2	532 17 85-57	Axle Asm., Front
3	532 18 32-26	Fitting, Grease
4	532 16 18-49	Spindle Asm, LH
5	532 16 18-48	Spindle Asm., RH
6	532 12 49-31	Bearing, Race Thrust Harden
7	532 12 17-48	Washer 25/32 x 1-5/8 x 16 Ga.
8	812 00 00-29	Ring, Klip #T5304-75
9	532 12 12-32	Cap, Spindle
10	874 78 10-44	Bolt, Fin Hex 5/8-11 x 2-3/4
11	532 13 65-18	Spacer Brg Axle Front 1.570
12	873 90 10-00	Nut, Lock Flange 5/8-11 unc
13	532 12 17-49	Washer 25/32 x 1-1/4 x 16 Ga.
14	810 04 06-00	Washer, Lock Hvy Hlcl Spr 3/8
15	873 54 06-00	Nut Crownlock 3/8-24
16	532 18 68-14	Shaft Asm., Steering
18	532 18 77-99	Draglink
19	532 15 60-11	Support Asm., Steering Vgt
20	532 17 75-92	Boot Steering
21	532 18 67-37	Adapter, Wheel Steering
22	532 15 51-05	Bushing, Strg.
23	532 15 29-27	Screw
26	532 19 36-52	Cap , Wheel Steering
27	532 12 49-37	Bearing, Col. Strg.
28	817 00 06-12	Screw 3/8-16 x 3/4
29	532 10 42-39	Bearing, Flange
31	532 13 81-36	Bushing, Nyliner Snap
32	819 11 16-10	Washer 11/32 x 1 x 10 Ga.
33	810 04 05-00	Washer, Lock Hvy Hlcl Spr 5/16
34	874 78 05-12	Bolt, Hex Hd 5/16-18 x 3/4
35	532 18 70-39	Gear, Sector Steering
36	532 18 67-99	Tie Rod
41	532 15 52-46	Bracket Switch Inerlock VGT97
42	817 49 05-08	Screw 5/16-18 x 1/2
44	532 17 75-93	Extension Steering Premium
45	819 18 38-12	Washer 9/16 ID x 2-3/8 OD 12 Ga.
51	873 94 08-00	Nut Hex Jam Toplock 1/2-20 unf
52	532 17 55-53	Clip Steering
53	532 18 89-67	Washer Hardened

NOTE: All component dimensions given in U.S. inches
1 inch = 25.4 mm

REPAIR PARTS

TRACTOR - - MODEL NO. GT2254 (96025000201), PRODUCT NO. 960 25 00-02
ENGINE



REPAIR PARTS

TRACTOR - - MODEL NO. GT2254 (96025000201), PRODUCT NO. 960 25 00-02

KEY NO.	PART NO.	DESCRIPTION
1	--- -- --	Engine Briggs, Model No. 40H777(Order parts from engine manufacturer)
2	532 14 97-23	Muffler Side
8	532 12 13-61	Pulley V-Idler
9	532 17 77-48	Keeper Asm. Belt Engine VGT
10	532 17 52-87	Bushing
11	532 17 93-35	Clutch Electric
12	532 14 39-96	Pulley Engine VGT Elect Clutch
15	532 17 91-15	Tank Fuel
18	532 18 18-03	Cap Fuel
20	532 17 83-85	Control Throttle
21	532 19 16-11	Screw 10 x 3/4 Single Lead Hex
22	532 19 15-96	Control Choke
26	532 12 49-52	Bushing
27	532 13 92-77	Stem Tank Fuel
28	532 18 86-69	Fuel Line
29	532 13 71-80	Spark Arrester Kit
31	532 14 50-06	Clip Push-In Hinged
37	532 12 34-87	Clamp Hose
39	817 49 06-36	Screw TT 3/8-16 x 2-1/4 unc
40	817 49 06-64	Screw TT 3/8-16 x 4 unc
41	532 12 61-97	Washer 1-1/2 OD x 15/32 ID x .250
42	810 04 07-00	Washer Lock 7/16
45	873 51 04-00	Nut Keps Hex 1/4-20 unc
47	532 17 52-88	Bushing
62	532 14 66-29	Shield Heat Muffler
69	532 16 53-91	Gasket
70	532 17 60-69	Tube Exhaust LH
71	532 17 60-70	Tube Exhaust RH
79	532 18 39-06	Screw Socket Head 5/16-18 x 1
81	532 18 88-00	Tube Drain
82	532 18 87-99	Valve Oil Drain
83	532 17 18-77	Bolt 5/16-18 unc x 1-3/4 W/Sems
84	817 06 06-24	Screw 3/8-16 x 1-1/2
85	532 17 99-53	Bolt Hex 7/16-20 X 3.75 Gr. 5

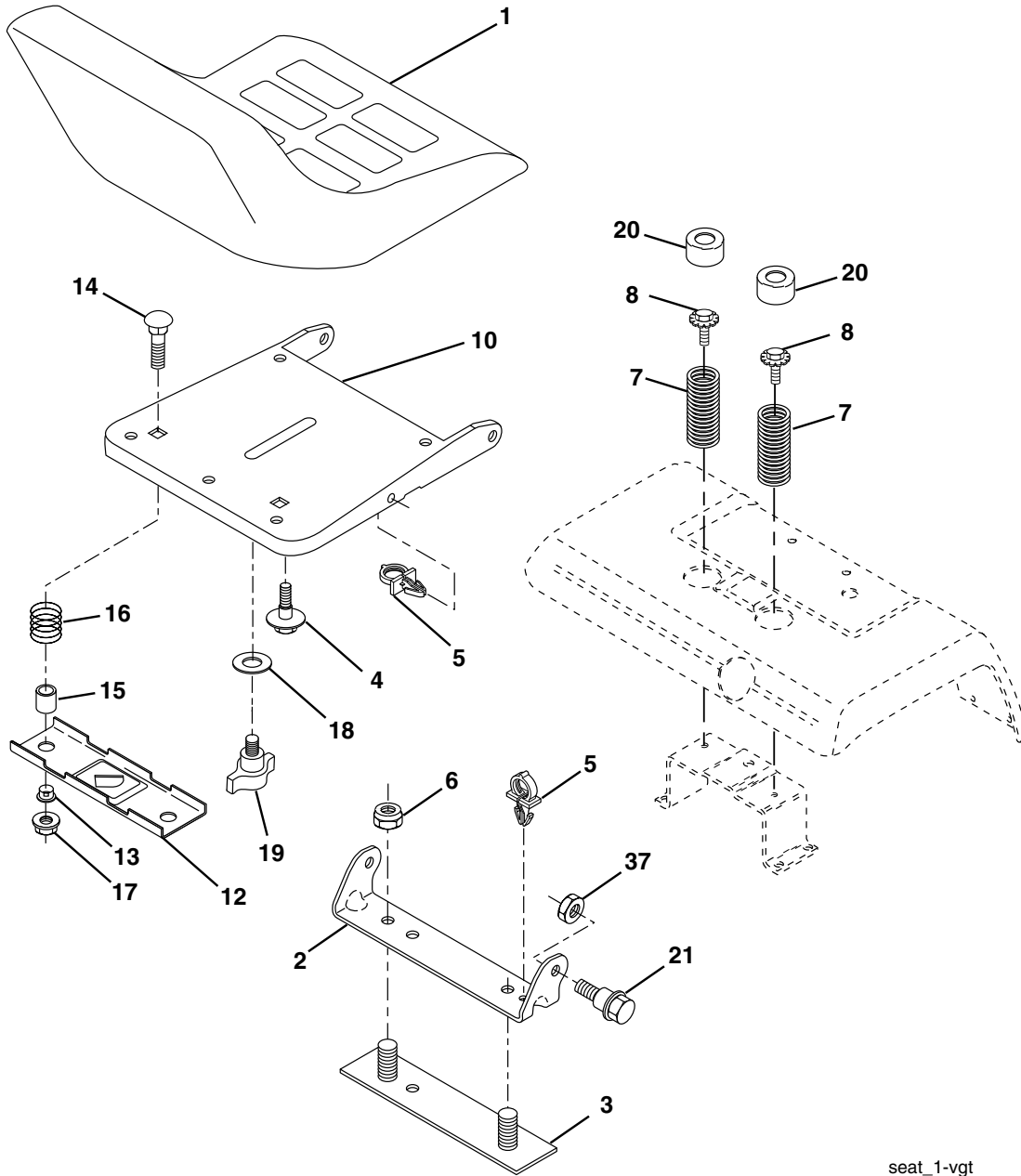
NOTE: All component dimensions given in U.S. inches
1 inch = 25.4 mm

For engine service and replacement parts, call the toll free number for your engine manufacturer listed below:

Briggs & Stratton	1-800-233-3723
Kohler Co.	1-800-544-2444
Tecumseh Products	1-800-558-5402
Honda Engines	1-800-426-7701
Kawasaki	1-800-460-5688

REPAIR PARTS

TRACTOR - - MODEL NO. GT2254 (96025000201), PRODUCT NO. 960 25 00-02
SEAT ASSEMBLY



KEY NO.	PART NO.	DESCRIPTION
1	532 19 01-20	Seat
2	532 14 05-51	Bracket, Pivot Seat
3	532 14 06-75	Strap Asm Fender
4	532 12 70-18	Bolt Shoulder 5/16-18 x .62
5	532 14 50-06	Clip, Push In Hinged
6	873 80 06-00	Nut, Crownlock 3/8-16
7	532 12 41-81	Spring, Seat Cprsn
8	532 17 18-77	Bolt 5/16-18 Unc x 3/4
10	532 18 24-93	Pan, Seat
12	532 17 46-48	Bracket, Mounting Switch
13	532 12 12-48	Bushing, Snap
14	872 05 04-12	Bolt, Carriage 1/4-20 x 1-1/2

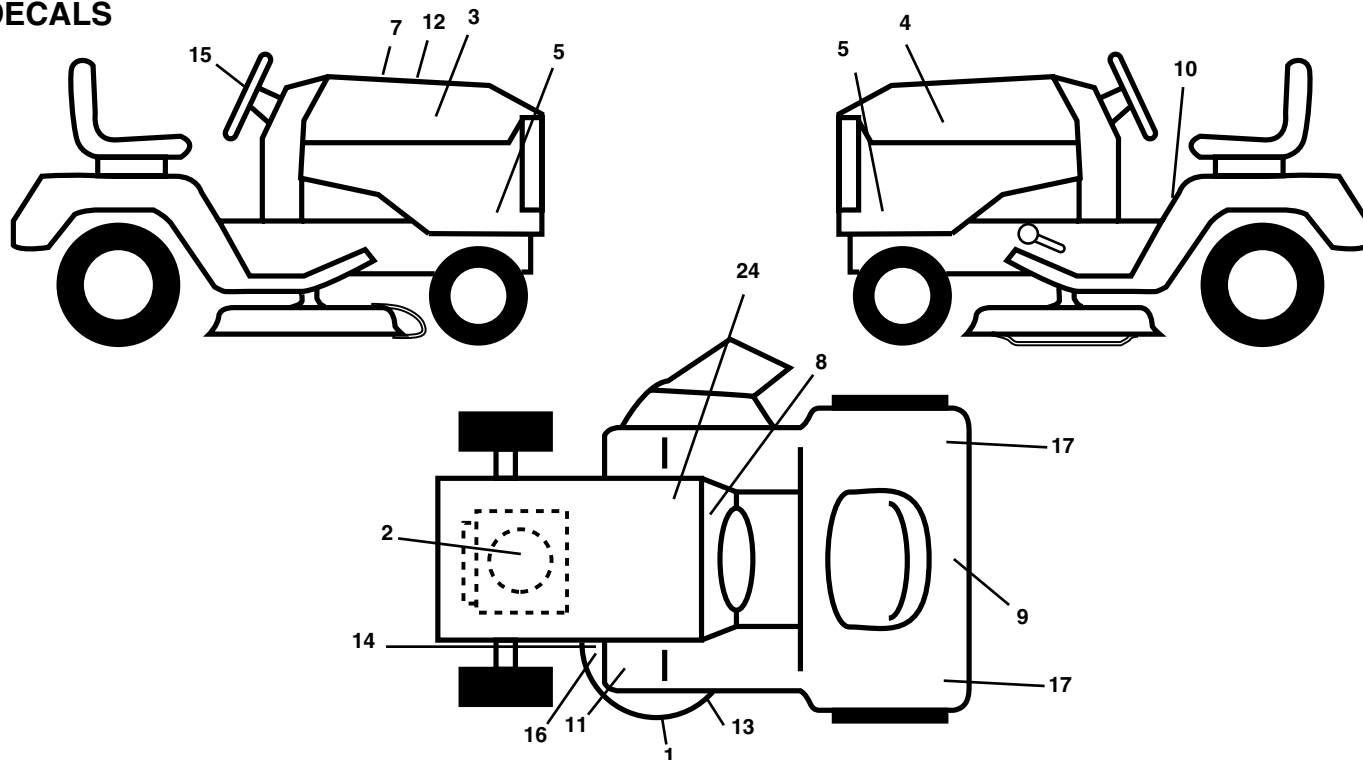
KEY NO.	PART NO.	DESCRIPTION
15	532 13 43-00	Spacer, Split
16	532 12 12-50	Spring, Cprsn
17	532 12 39-76	Nut, Lock 1/4 Lge Flg Gr. 5
18	819 17 19-12	Washer 17/32 x 1-3/16 x 12 Ga.
19	532 16 63-69	Knob Seat
20	532 12 42-38	Cap, Spring Seat
21	532 17 18-52	Bolt, Shoulder 5/16-18
22	873 68 05-00	Nut Crownlock 5/16-18
37	873 80 05-00	Nut, Crownlock 5/16-18

NOTE: All component dimensions given in U.S. inches
1 inch = 25.4 mm

REPAIR PARTS

TRACTOR - - MODEL NO. GT2254 (96025000201), PRODUCT NO. 960 25 00-02

DECALS



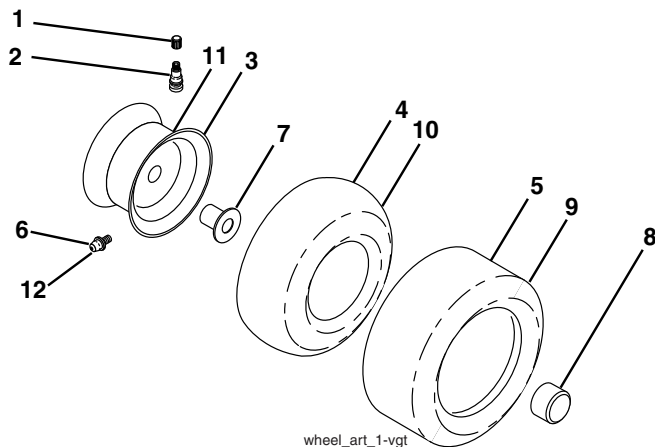
KEY PART NO.

KEY PART NO.	PART NO.	DESCRIPTION
1	532 17 84-82	Decal, Deck heavy Duty
2	532 19 16-51	Decal, Engine
3	532 18 89-47	Decal, Hood, RH
4	532 18 89-48	Decal, Hood, LH
5	532 19 42-81	Decal, Side Panel
7	532 18 09-41	Decal, Customer Resp.
8	532 19 60-44	Decal, Dash
9	532 19 15-54	Decal, Fender
10	532 15 70-02	Decal, Danger

KEY PART NO.

KEY PART NO.	PART NO.	DESCRIPTION
11	532 18 12-49	Decal, Clutch/Brake
12	532 19 43-63	Decal, Replacement
13	532 18 82-98	Decal, V-Belt Sch
14	532 17 84-55	Decal, Caution
15	532 18 89-25	Decal, Ins. Strg Whl
16	532 19 30-63	Decal, Mower Upstop
17	532 10 62-02	Reflector
24	532 14 50-05	Decal, Btry Dngr/Psn
--	532 18 19-17	Pad, Footrest, RH
--	532 18 19-16	Pad, Footrest, LH
--	532 19 65-04	Manual, Owner's (English)

WHEELS & TIRES



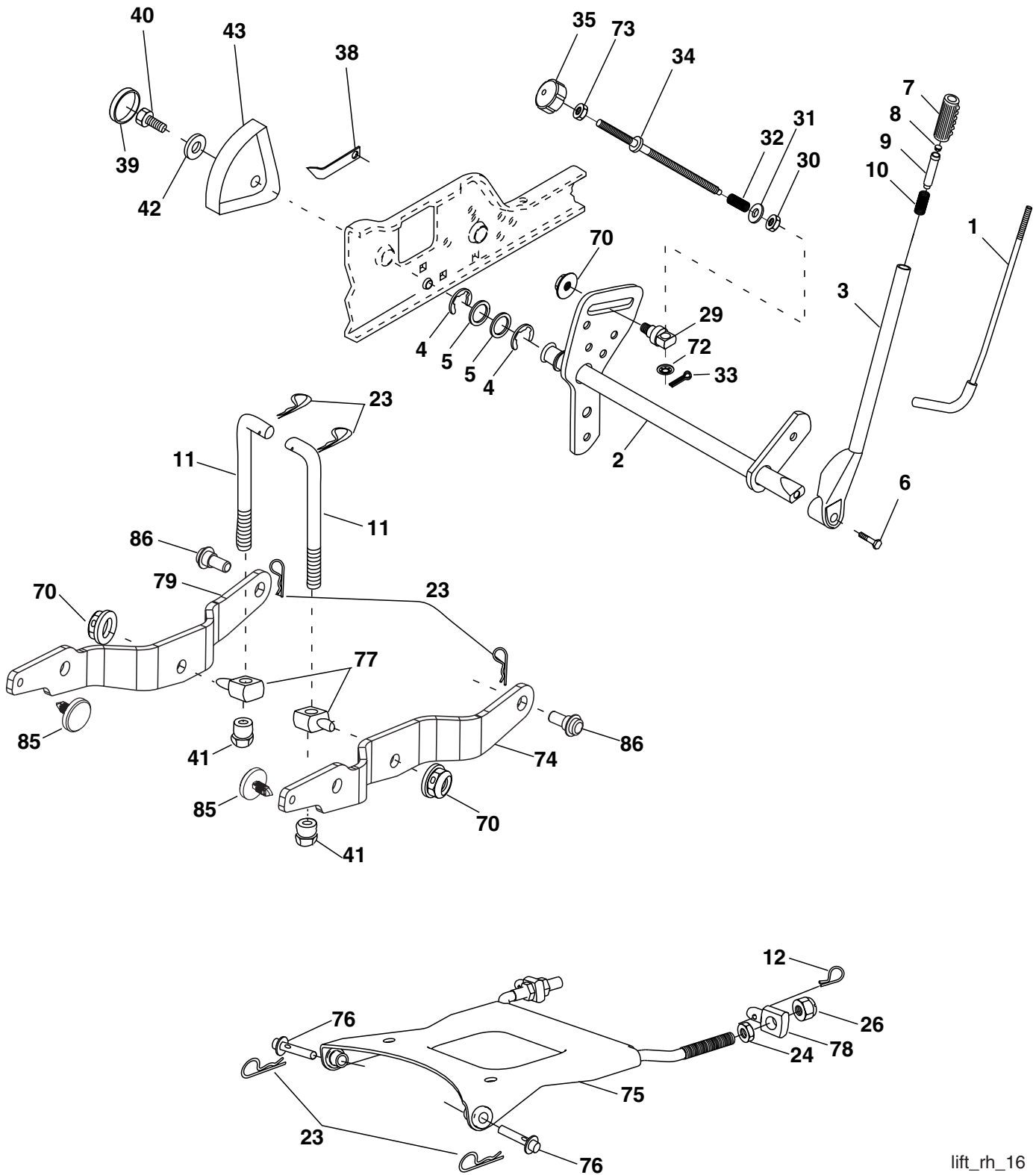
KEY PART NO.

KEY PART NO.	PART NO.	DESCRIPTION
1	532 05 91-92	Cap, Valve, Tire
2	532 06 51-39	Stem, Valve
3	532 14 45-09	Rim Assembly, Front
4	532 00 81-34	Tube, Front (Service Item Only)
5	532 10 62-30	Tire, Front
6	532 12 49-57	Fitting, Grease
7	532 12 49-59	Bearing, Flange (Front Wheel Only)
8	532 17 50-39	Cap, Hub
9	532 10 55-88	Tire, Rear
10	532 00 71-54	Tube, Rear (Service Item Only)
11	532 14 45-10	Rim Assembly, Rear
12	532 12 48-60	Fitting, Grease
--	532 14 43-34	Sealant, Tire (10 oz. Tube)

NOTE: All component dimensions given in U.S. inches
1 inch = 25.4 mm

REPAIR PARTS

TRACTOR - - MODEL NO. GT2254 (96025000201), PRODUCT NO. 960 25 00-02
LIFT ASSEMBLY



lift_rh_16

REPAIR PARTS

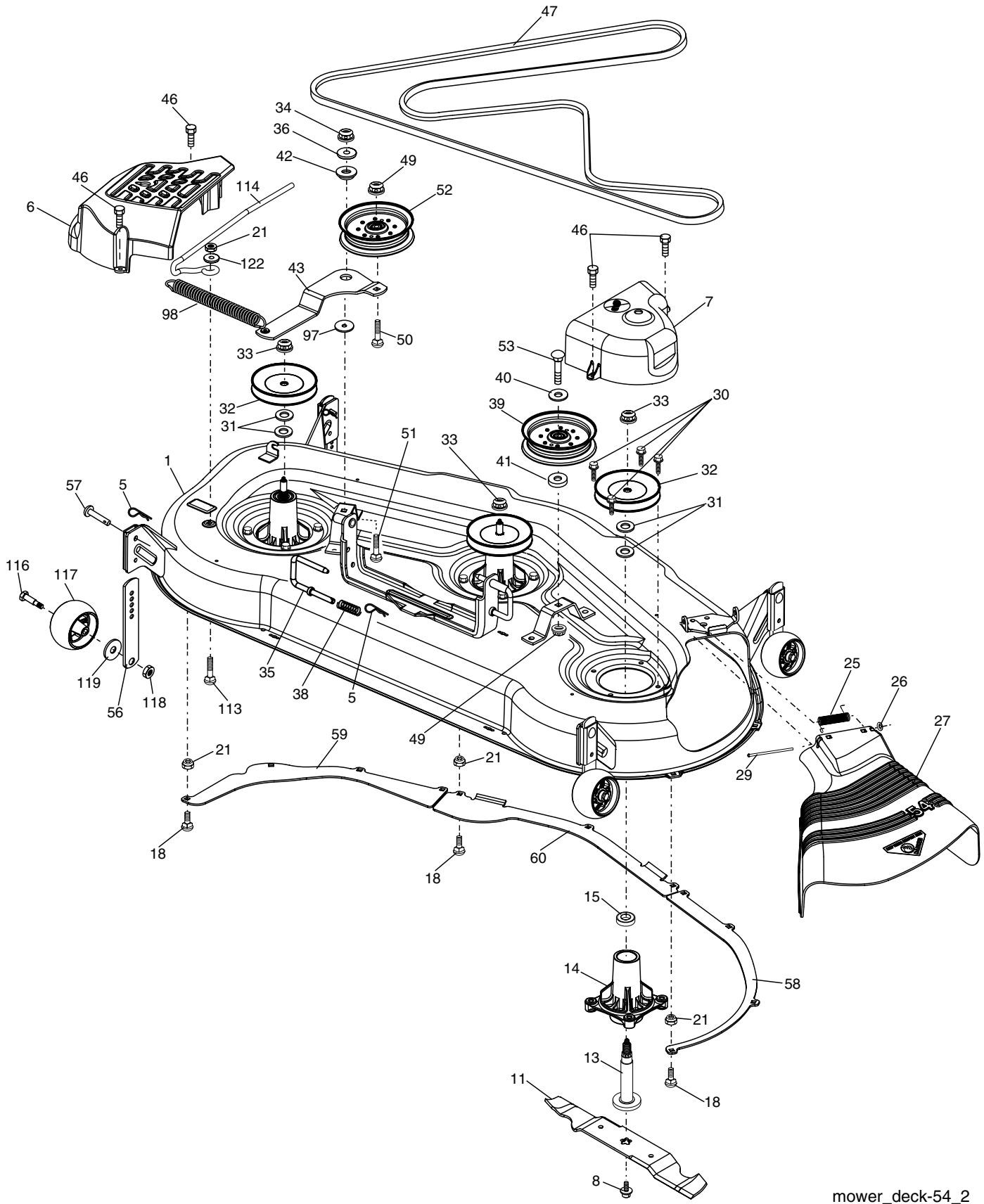
TRACTOR - - MODEL NO. GT2254 (96025000201), PRODUCT NO. 960 25 00-02
LIFT ASSEMBLY

KEY NO.	PART NO.	DESCRIPTION
1	532 12 10-06	Rod Asm., Lever
2	532 18 00-45	Shaft Asm., Lift Vgt
3	532 15 91-89	Lever Asm., Lift Rh
4	812 00 00-22	E-Ring Truarc #5133-87
5	819 29 20-16	Washer 29/32 x 1-1/4 x 16 Ga.
6	871 11 06-24	Bolt, Fin Hex 3/8-16 x 1-1/2
7	532 12 56-31	Grip, Handle
8	532 12 45-26	Button, Plunger
9	532 12 23-64	Plunger, Lever Lift
10	532 18 38-94	Spring 0.620D x 2.125
11	532 17 53-75	Link Lift
12	532 16 35-52	Retainer, Spring
23	532 12 46-70	Retainer, Spring
24	873 35 08-00	Nut, Jam Hex 1/2-13 unc
26	873 80 08-00	Nut, Lock W/Wsh 1/2-13 unc
29	532 15 02-33	Trunnion Infin Height
30	532 11 08-07	Nut, Special
31	819 13 10-16	Washer 13/32 x 5/8 x 16 Ga.
32	532 13 71-50	Spring, Compression Inf Hgt
33	876 02 03-08	Pin, Cotter 3/32 x 1/2
34	532 13 71-67	Rod, Adj Lift
35	532 13 80-57	Knob, Inf 3/8-16 unc
38	532 15 50-97	Pointer Height Indicator
39	532 12 39-35	Plug, Hole Blk. 1.485/1.515 Dia.
40	817 06 05-16	Screw 5/16-18 x 1
41	532 17 59-94	Nut, Lift Link 7/16-20
42	819 11 24-10	Washer 11/32 x 1-1/2 x 10 Ga.
43	532 12 39-34	Scale, Indicator Height
70	532 14 52-12	Nut Hex Flange Lock
72	532 11 04-52	Nut Push Phos & Oil
73	873 35 06-00	Nut, Hex Jam 3/8-16 unc
74	532 18 72-77	Arm Suspension Rear RH
75	532 17 58-05	Plate, Asm, Susp, Front
76	532 17 55-60	Pin Flange
77	532 17 62-05	Trunion Susp Arm
78	532 17 56-89	Trunnion, Front, Susp
79	532 18 72-76	Arm, Suspension LH
85	532 18 90-13	Insert Wear
86	532 18 85-28	Bolt Shoulder

NOTE: All component dimensions given in U.S. inches
1 inch = 25.4 mm

REPAIR PARTS

TRACTOR - - MODEL NO. GT2254 (96025000201), PRODUCT NO. 960 25 00-02
MOWER DECK



REPAIR PARTS

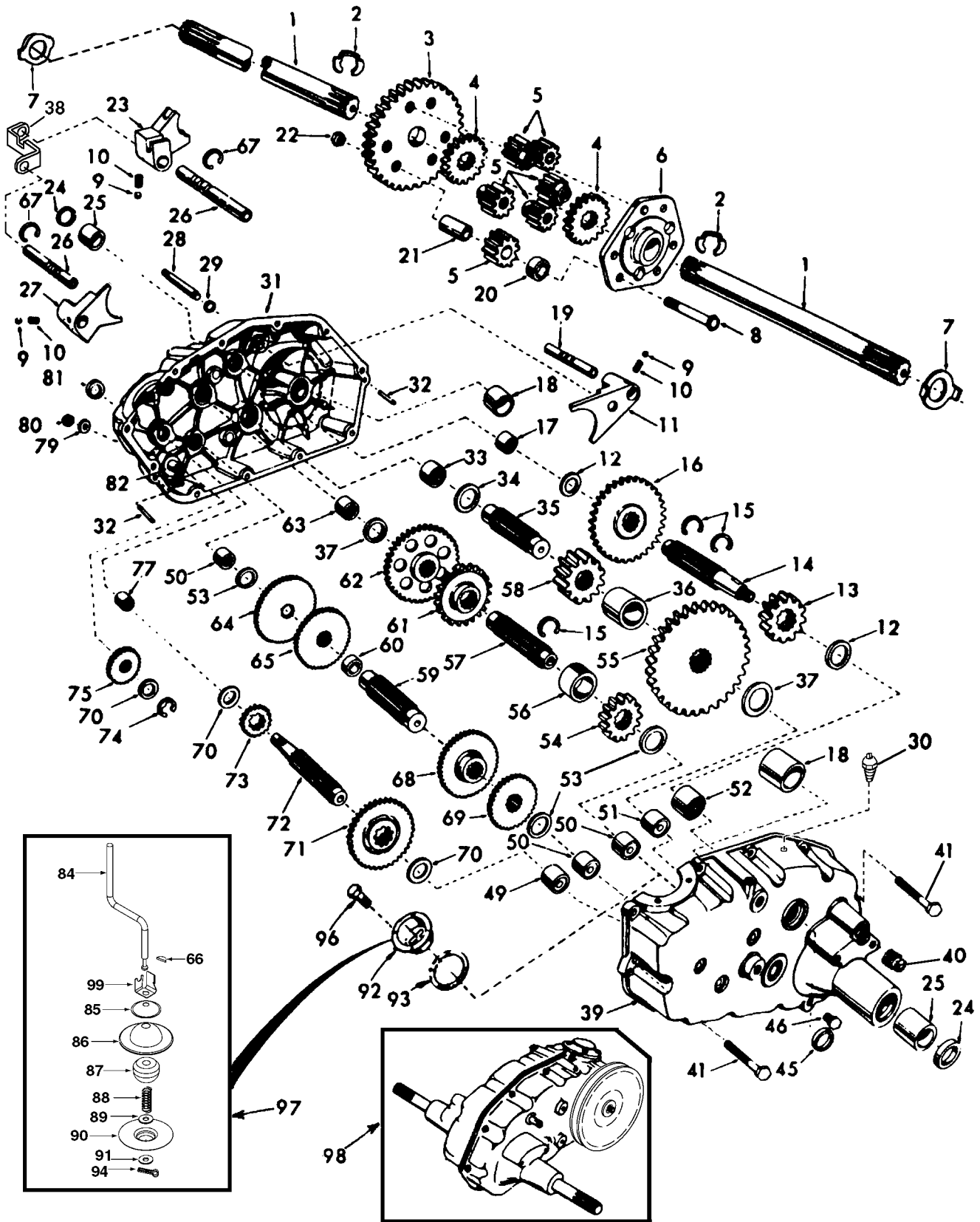
**TRACTOR - - MODEL NO. GT2254 (96025000201), PRODUCT NO. 960 25 00-02
MOWER DECK**

KEY NO.	PART NO.	DESCRIPTION	KEY NO.	PART NO.	DESCRIPTION
1	532 19 68-38	Deck Weldment Mower	43	532 19 62-16	Arm, Idler
5	532 12 46-70	Retainer Spring	46	532 13 77-29	Screw, Thdroll. 1/4-20 x 5/8
6	532 18 72-97	Cover Mandrel LH	47	532 19 12-73	V-Belt, Mower, Secondary
7	532 18 81-87	Cover Mandrel RH	49	873 90 06-00	Nut, Lock Flg. 3/8-16 unc
8	532 17 43-65	Bolt 7/16 Asm. Blade	50	872 11 06-16	Bolt, Carr. 3/8-16 x 2
11	532 18 72-54	Blade Standard	51	872 11 06-10	Bolt 3/8-16 x 1-1/4 Gr. 5
13	532 18 72-91	Shaft Asm. w/Lower Bearing	52	532 18 84-60	Pulley Idler clutching
14	532 18 72-81	Mandrel Housing	53	874 78 06-36	Bolt Fin Hex 3/8-16 unc x 2-1/4
15	532 11 04-85	Bearing, Ball, Mandrel	56	532 15 59-86	Bar Pnt Adj.
18	872 14 05-05	Bolt Rdhd Sqnk 5/16-18 x 5/8	57	532 15 69-41	Pin Head Rivet
21	873 68 05-00	Nut, Crownlock 5/16-18 unc	58	532 18 73-42	Baffle Right
25	532 17 81-02	Spring Torsion	59	532 18 73-44	Baffle Left
26	532 11 04-52	Nut, Push	60	532 18 76-07	Baffle Center
27	532 18 89-38	Deflector Shield	97	819 13 32-10	Washer Hardened
29	532 13 14-91	Rod, Hinge	98	532 18 72-82	Spring Clutch Drive
30	532 17 39-84	Screw Thd Roll	113	872 11 05-08	Bolt Rdhd Sqnk 5/16-18 unc x 3/4
31	532 18 76-90	Washer, Spacer Mower Vented	114	532 18 75-56	Rod Tension Relief
32	532 17 34-36	Pulley, Mandrel	116	532 19 34-06	Bolt, Shoulder
33	532 17 83-42	Nut, Flg. Top Lock Cntr. 9/16	117	532 17 48-73	Gauge Wheel
34	873 68 06-00	Nut	118	873 93 06-00	Nut, Centerlock 3/8-16 unc
35	532 18 86-35	Pin Suspension Rear	119	819 12 14-14	Washer 3/8 x 7/8 x 14 Ga.
36	819 13 13-16	Washer 13/32 x 13/16 x 16 Ga.	122	532 18 75-57	Bushing Tension Relief
38	532 18 86-57	Spring Compression	--	532 18 72-92	Mandrel Asm. Service
39	532 18 72-84	Pulley, Idler, Stationary			(Includes Key Nos. 13-15 and 33)
40	819 13 22-03	Washer 13/32 x 1-3/8 x 3 Ga.	--	532 19 60-99	Replacement Mower, Complete
41	819 13 13-12	Washer 13/32 x 13/16 x 12 Ga.			
42	532 12 20-52	Spacer, Retainer			

NOTE: All component dimensions given in U.S. inches
1 inch = 25.4 mm

REPAIR PARTS

TRACTOR -- MODEL NO. GT2254 (96025000201) PRODUCT NO. 960 25 00-02
GEAR DRIVE TRANSAXLE



REPAIR PARTS

TRACTOR - - MODEL NO. GT2254 (96025000201) PRODUCT NO. 960 25 00-02 GEAR DRIVE TRANSAXLE

KEY NO.	PART NO.	DESCRIPTION	KEY NO.	PART NO.	DESCRIPTION
1	532 12 46-62	Axle Shaft	52	532 00 81-19	Needle Bearing
2	812 00 00-34	Retaining Ring	53	532 00 42-20	Thrust Bearing Race
3	532 00 41-99	Final Drive Gear	54	532 00 42-09	3rd Reduction Pinion, Low
4	532 00 42-16	Differential Gear	55	532 12 46-68	4th Reduction Gear
5	532 00 42-15	Differential Pinion	56	532 00 44-42	3rd Reduction Pinion Spacer
6	532 00 42-17	Differential Carrier	57	532 00 41-95	2nd Reduction Gear Shaft
7	532 17 47-28	Axle Thrust Washer	58	532 00 42-14	Final Drive Pinion
8	874 02 06-52	Bolt, Hex Head 3/8-24 x 3-1/4 (1" Thread Length)	59	532 00 41-94	1st Reduction Gear Shaft
9	532 12 46-97	Steel Ball	60	532 00 75-28	1st Reduction Shaft Spacer
10	532 13 72-61	Spring Shift Fork Detent	61	532 12 46-66	3rd Reduction Pinion Hlgh
11	532 00 49-85	Shift Fork, High-Low Range	62	532 12 46-65	2nd Reduction Gear
12	532 12 49-31	Thrust Bearing Race	63	532 00 73-98	Needle Bearing
13	532 12 46-67	4th Reduction Pinion	64	532 12 46-64	Low Speed Gear and 2nd Reduc- tion Pinion Cluster
14	532 13 71-25	3rd Reduction Gear Shaft	65	532 00 42-04	Reverse Gear
15	532 12 46-77	Snap Ring, Crescent Type	66	532 00 28-98	Key, Hi-Pro 1/8 x 17/32
16	532 12 46-79	High-Low Range Gears	67	812 00 00-33	Snap Ring, Crescent Type
17	532 00 81-18	Needle Bearing	68	532 00 42-05	Intermediate Speed Gear
18	532 12 47-05	Sintered Iron Bearing	69	532 12 50-99	High Speed Gear
19	532 12 22-38	Shift Fork Shaft, High-Low Range	70	532 00 13-70	Thrust Bearing Race
20	532 00 42-18	Differential Pinion Spacer	71	532 12 46-81	Intermediate and High Speed Cluster Pinions
21	532 12 46-73	Differential Pinion Bushing	72	532 13 91-20	Input Shaft
22	532 12 47-01	Gripco Centerlock Nut 3/8-24	73	532 00 42-01	Low Speed Pinion
23	532 00 62-62	Shift Fork, R.H.	74	812 00 00-08	E-Ring
24	532 12 46-98	Oil Seal	75	532 00 11-53	Reverse Idler Gear
25	532 12 47-09	Sintered Iron Bearing	77	532 00 68-03	Needle Bearing
26	532 13 91-11	Shift Fork Shaft	79	532 00 11-67	Sealing Washer
27	532 00 49-86	Shift Fork, L.H.	80	873 36 07-00	Nut, Hex, Jam 7/16-20
28	532 12 22-54	Shift Shaft, High-Low Range	81	532 12 46-75	Oil Seal
29	532 00 62-69	Oil Seal	82	532 13 69-84	Reverse Idler Shaft
30	532 00 58-55	Pressure Relief Valve	84	532 00 53-84	Gearshift Lever, Bent
31	532 17 47-31	Gearcase, Reverse Idler Shaft and Bearings, R.H. (Includes Key No.'s 17, 18, 25, 33, 50, 63, 77 and 82)	85	532 00 29-78	Gearshift Cap
32	532 00 62-77	Dowel Pin	86	532 12 46-82	Gearshift Ball Cover and Pin
33	532 00 42-25	Needle Bearing	87	532 12 47-04	Shift Lever Guide Ball, Keyed
34	532 00 73-96	Thrust Bearing Race	88	532 00 49-24	Spring
35	532 00 41-98	4th Reduction Gear Shaft	89	819 15 15-16	Washer 15/32 x 15/16 x 16 Gauge
36	532 12 46-63	4th Reduction Gear Spacer	90	532 11 05-42	Shift Mechanism Seal
37	532 00 73-95	Thrust Bearing Race	91	819 18 15-11	Washer 9/16 x 15/16 x 12 Gauge
38	532 16 07-89	Gate, Lower, Shift	92	532 00 00-75	Gearshift Gate and Reinforce- ment
39	532 17 47-29	Gearcase and Bearings, L.H. (In- cludes key Numbers 18, 25, 49, 50 (2), 51 and 52)	93	532 00 62-74	Shift Ball Cover Gasket
40	813 32 04-00	Pipe Plug 1/2-14 N.P.T.	94	876 02 04-12	Cotter Pin 1/8 x 3/4
41	817 58 05-20	Bolt, Hex 5/16-18 UNC x 1-1/4	96	532 19 40-36	Bolt, Hex, 5/16-18X1 Epoxy Patch
45	532 00 62-71	Oil Seal	97	532 19 41-21	Lever Assembly ROS Gear Shift
46	813 06 02-00	Pipe Plug 1/4-18 N.P.T.	98	532 18 49-56	Transaxle, 6 Speed, Complete Assembly
49	532 12 47-92	Needle Bearing	99	532 19 38-33	Actuator, Shift Lever
50	532 00 42-22	Needle Bearing			
51	532 00 15-29	Needle Bearing			

NOTE: All component dimensions given in U.S. inches
1 inch = 25.4 mm